

Standard Ball Screw ST Series (1/2)

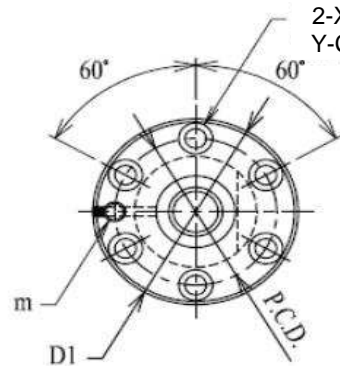


Part Number Coding

ST 15 10 - 2.5 - S S P R - 800 C7 N

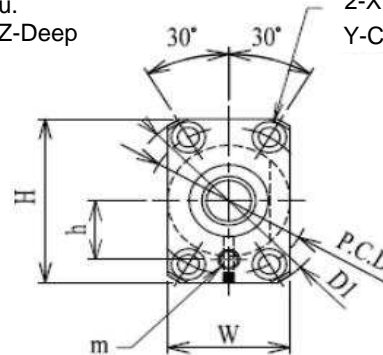
① ② ③ ④ ⑤⑥⑦⑧ ⑨ ⑩ ⑪

- ① Model Number
- ② Shaft Dia.
- ③ Lead
- ④ Turns of Balls
- ⑤ Type of Flange
- ⑥ Type of Nut Sleeve
- ⑦ Type of Seal
- ⑧ Direction of Turn
- ⑨ Shaft Length
- ⑩ Accuracy Grade
- ⑪ Axial Play



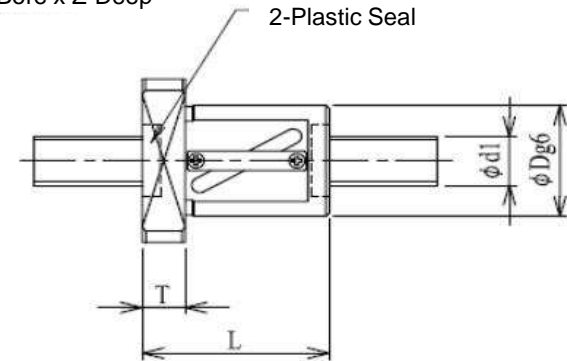
Type R Flange

2-X Drill Thru.
Y-C' Bore x Z-Deep



Type S Flange

2-X Drill Thru.
Y-C' Bore x Z-Deep



2-Plastic Seal

【 Dia. 10mm~16mm 】

Part Number	Shaft Dia. d	Lead l	Ball Dia. Dw	B.C.D.	Effective Ball Turns Turns x Circuits	Root Dia. d1	Basic Load Rating		Ball Nut Dimensions											
							Dynamic C [N]	Static Co [N]	O/D D	Length L	Flange Dimensions									
											D1	H	W	T	h	m	P.C.D.	X	Y	Z
ST1004-2.5-SSPR	10	4	2.381	10.60	2.5x1	8.1	3400	6400	26	37	46	42	28	8	14	M6	36	4.5	8	4.4
ST1005-1.5-SSPR	10	5	2.381	10.60	2.5x1	8.1	3400	6400	26	40	46	42	28	8	14	M6	36	4.5	8	4.4
ST1010-2.5-SSPR	10	10	2.381	10.60	1.5x1	8.1	2400	3800	28	40	47	45	30	8	15	M6	36	4.5	8	4.4
ST1205-1.5-SSPR	12	5	3.175	12.50	2.5x1	9.2	6000	10500	30	44	50	45	32	10	15	M6	40	4.5	8	4.4
ST1210-2.5-SSPR	12	10	3.175	12.50	1.5x1	9.2	4200	6300	30	49	54	48	32	12	18	M6	41	5.5	9.5	5.4
ST1504-1.5-SSPR	15	4	2.381	15.50	2.5x1	13.0	4600	9900	32	41	56	48	32	10	18	M6	43	5.5	9.5	5.4
ST1505-2.5-SSPR	15	5	3.175	15.50	2.5x1	12.2	7100	13200	34	44	58	50	34	10	18	M6	45	5.5	9.5	5.4
ST1510-2.5-SSPR	15	10	3.175	15.75	2.5x1	12.4	7100	13200	34	52	58	50	34	12	18	M6	45	6	9.5	6
ST1520-1.5-SSPR	15	20	3.175	15.75	1.5x1	12.4	4900	7900	34	62	58	50	34	12	18	M6	45	6	9.5	6
ST1604-2.5-SSPR	16	4	2.381	16.50	2.5x1	14.0	4800	10400	34	41	58	50	34	10	18	M6	45	5.5	9.5	5.4
ST1605-2.5-SSPR	16	5	3.175	16.75	2.5x1	13.4	7400	14100	36	44	59	53	36	10	18	M6	47	5.5	9.5	5.4
ST1616-1.5-SSPR	16	16	3.175	16.75	1.5x1	13.4	5200	8400	36	54	59	53	36	12	18	M6	47	5.5	9.5	5.4

Standard Ball Screw ST Series (2/2)



【 Dia. 20mm~32mm 】

Part Number	Shaft Dia.	Lead	Ball Dia.	B.C.D.	Effective Ball Turns	Root Dia.	Basic Load Rating		Ball Nut Dimensions											
	d	l	Dw		Turns x Circuits	d1	Dynamic	Static	O/D		Length		Flange Dimensions							
							C	Co	D	L	D1	H	W	T	h	m	P.C.D.	X	Y	Z
							[N]	[N]												
ST2005-2.5-SSPR	20	5	3.175	20.50	2.5x1	17.2	8600	17600	40	48	68	60	40	12	21	M6	53	6.6	11	6.5
ST2010-1.5-SSPR	20	10	4.762	21.00	1.5x1	16.0	10600	15400	46	57	74	66	46	15	24	M6	59	6.6	11	6.5
ST2020-1.5-SSPR	20	20	4.762	21.00	1.5x1	16.0	10600	15400	46	70	74	66	46	15	24	M6	59	6.6	11	6.5
ST2505-2.5-SSPR	25	5	3.175	25.50	2.5x1	22.2	10100	22000	47	48	74	68	47	12	25	M6	60	6.6	11	6.5
ST2510-2.5-SSPR	25	10	4.762	26.00	2.5x1	21.0	18420	33700	52	65	86	78	52	15	30	M6	68	9	14	8.6
ST2520-1.5-SSPR	25	20	4.762	26.00	1.5x1	21.0	12800	20200	52	70	86	78	52	15	30	M6	68	9	14	8.6
ST2805-2.5-RSPR	28	5	3.175	28.50	2.5x1	25.2	11000	24600	54	43	82	-	-	12	-	M6	67	6.6	11	6.5
ST2810-2.5-RSPR	28	10	4.762	29.00	2.5x1	24.0	19900	37700	56	65	84	-	-	15	-	M6	69	6.6	11	6.5
ST2820-2.5-RSPR	28	20	4.762	29.00	2.5x1	24.0	19900	37700	56	89	84	-	-	15	-	M6	69	6.6	11	6.5
ST3205-2.5-RSPR	32	5	3.175	32.50	2.5x1	29.2	12000	28200	58	43	85	-	-	12	-	M6	71	6.6	11	6.5
ST3210-2.5-RSPR	32	10	6.350	33.00	2.5x1	26.4	32600	56400	74	68	108	-	-	15	-	M6	90	9	14	8.6
ST3202-2.5-RSPR	32	20	6.350	33.00	2.5x1	26.4	32600	56400	72	96	106	-	-	18	-	M6	88	9	14	8.6

